

Induction Lamp Kit:

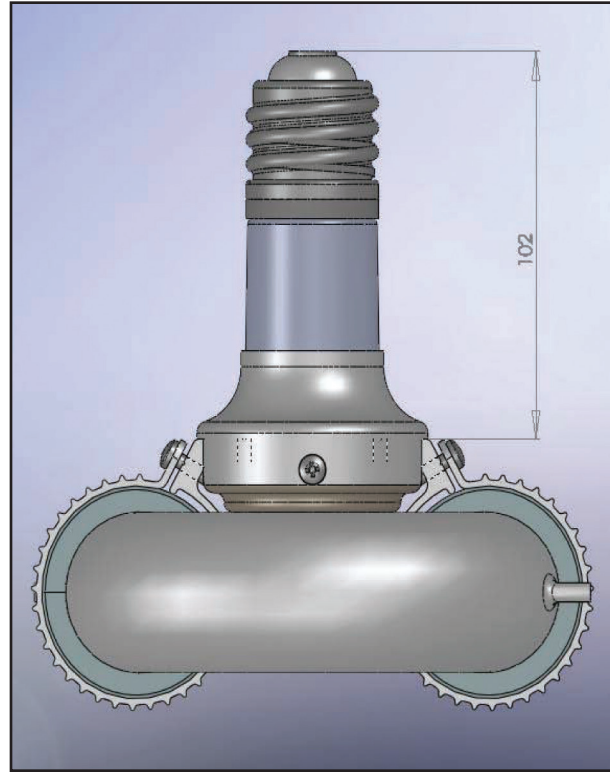
Retrofit Your Existing Fixtures to Induction Lighting Source

IRK-0679

Acorn and Contempo Retrofit Kit

CL40W Circular Induction Lamp and Adapter

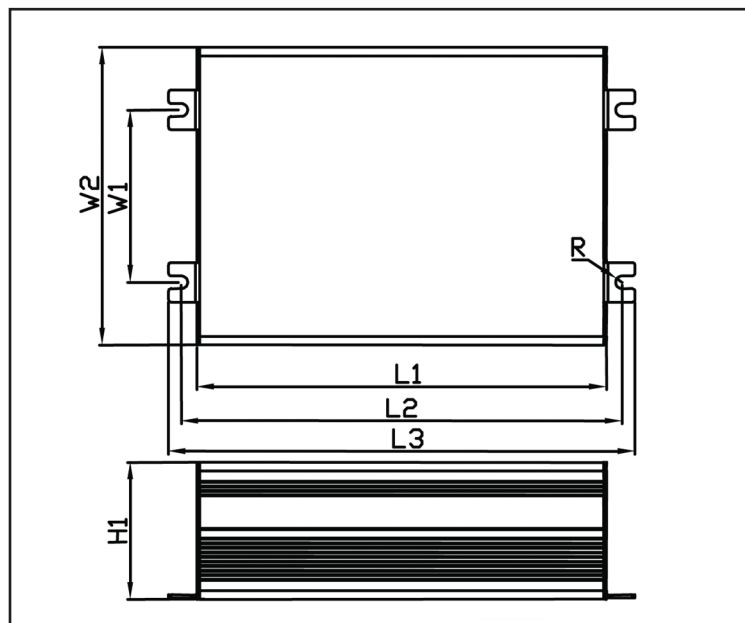
Voltage Rating	120~277V
Wattage	40W
Lamp Type	Circular Induction
Ballast Type	Electronic
Initial/Mean Lumen	3200/2240
Pupil Lumen	5760
CRI	82
L/W Ratio	80L/W
CCT - Kelvin Rating	5000K
Temperature	-20 C ~ +40 C
Lifetime	100,000 hours



MOGUL BASE LAMP SCREWS IN GENERATOR TO BE HARD WIRED

Ballast.

Length	Inch
L1	3.46
L2	3.90
L3	4.25
W1	2.76
W2	3.66
R	0.1
H1	1.57



phone: 815-315-8883
 fax: 847-470-9828
 quotes@inductionlighting.com

P.O. Box 911
 Morton Grove, IL 60053
 www.inductionlighting.com



TM
inductionlighting.com

Induction Lamp Kit:

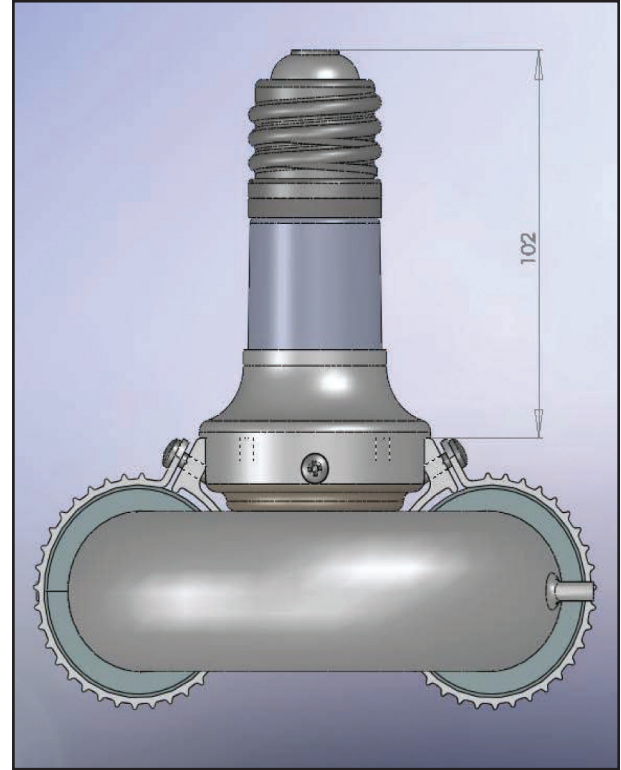
Retrofit Your Existing Fixtures to Induction Lighting Source

IRK-0684

Acorn and Contempo Retrofit Kit

CL55W Circular Induction Lamp and Adapter

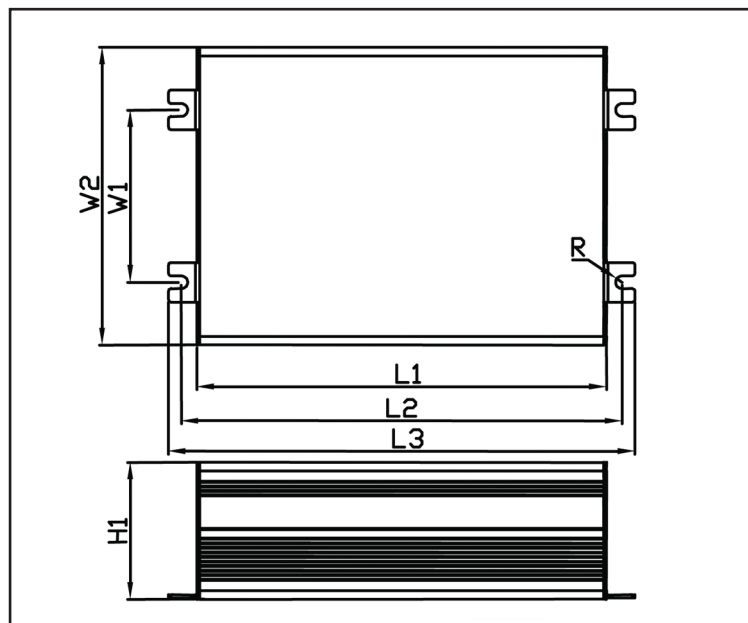
Voltage Rating	120~277V
Wattage	55W
Lamp Type	Circular Induction
Ballast Type	Electronic
Initial/Mean Lumen	4400/3080
Pupil Lumen	7920
CRI	82
L/W Ratio	80L/W
CCT - Kelvin Rating	5000K
Temperature	-20 C ~ +40 C
Lifetime	100,000 hours



**MOGUL BASE LAMP SCREWS IN
GENERATOR TO BE HARD WIRED**

Ballast.

Length	Inch
L1	3.46
L2	3.90
L3	4.25
W1	2.76
W2	3.66
R	0.1
H1	1.57



phone: 815-315-8883
fax: 847-470-9828
quotes@inductionlighting.com

PO Box 911
Morton Grove, IL 60053
www.inductionlighting.com



inductionlighting.com

Induction Lamp Kit:

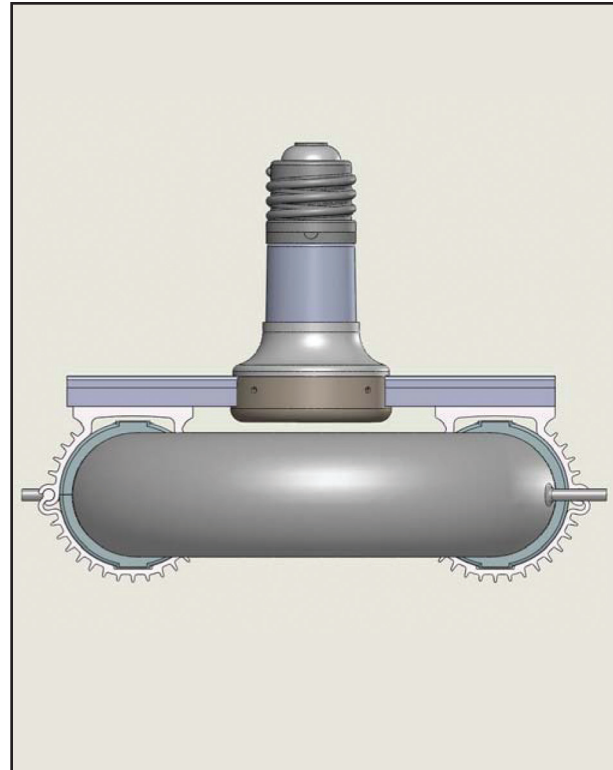
Retrofit Your Existing Fixtures to Induction Lighting Source

IRK-0680

Acorn and Contempo Retrofit Kit

CL70W Circular Induction Lamp and Adapter

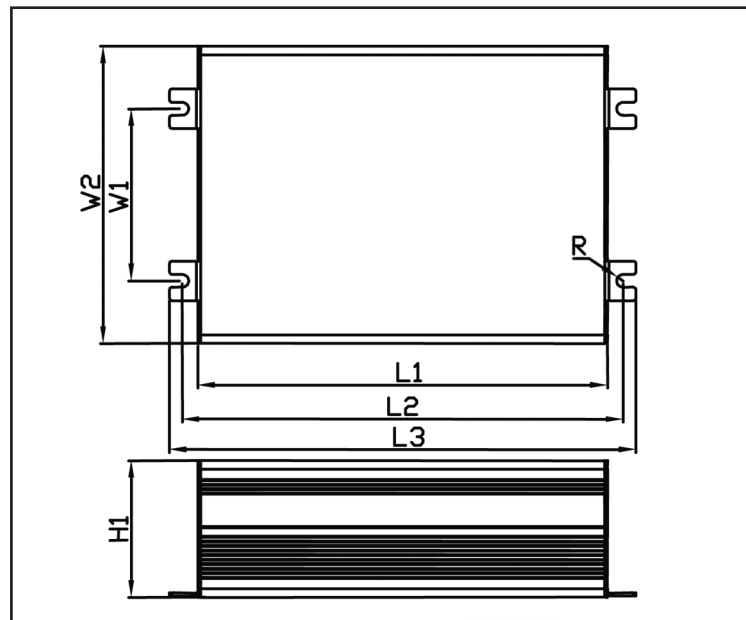
Voltage Rating	120~277V
Wattage	70W
Lamp Type	Circular Induction
Ballast Type	Electronic
Initial/Mean Lumen	5950/4165
Pupil Lumen	10710
CRI	82
L/W Ratio	80L/W
CCT - Kelvin Rating	5000K
Temperature	-20 C ~ +40 C
Lifetime	100,000 hours



**MOGUL BASE LAMP SCREWS IN
GENERATOR TO BE HARD WIRED**

Ballast.

Length	Inch
L1	3.46
L2	3.90
L3	4.25
W1	2.76
W2	3.66
R	0.1
H1	1.57



phone: 815-315-8883
fax: 847-470-9828
quotes@inductionlighting.com

P.O. Box 911
Morton Grove, IL 60053
www.inductionlighting.com



TM
inductionlighting.com

Induction Lamp Kit:

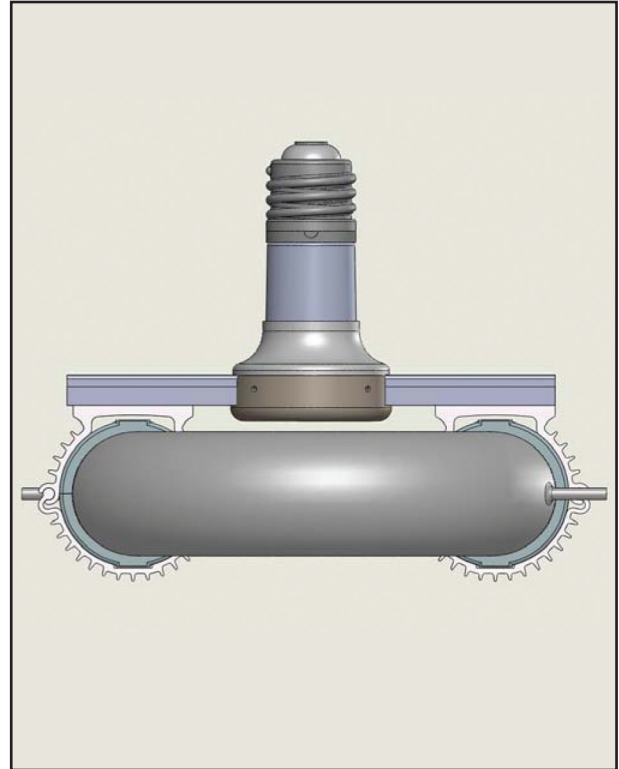
Retrofit Your Existing Fixtures to Induction Lighting Source

IRK-0681

Acorn and Contempo Retrofit Kit

CL80W Circular Induction Lamp and Adapter

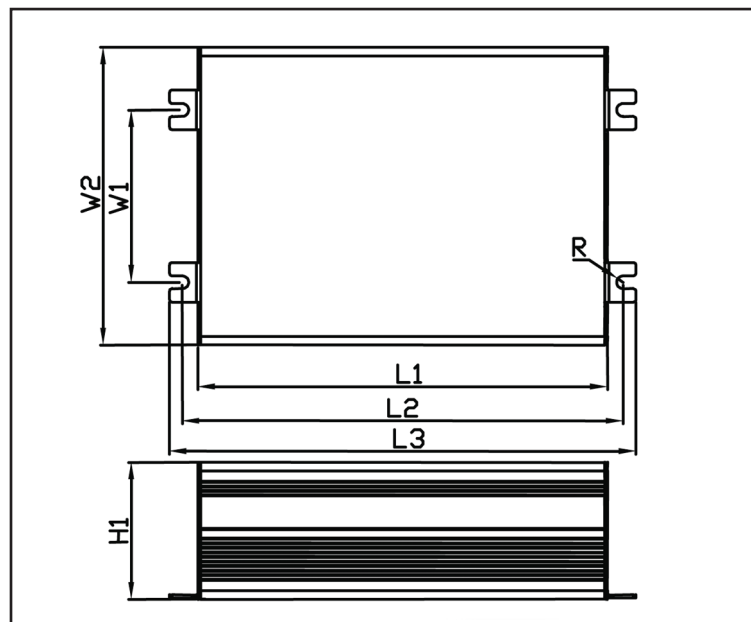
Voltage Rating	120~277V
Wattage	80W
Lamp Type	Circular Induction
Ballast Type	Electronic
Initial/Mean Lumen	6400/4480
Pupil Lumen	11520
CRI	82
L/W Ratio	80L/W
CCT - Kelvin Rating	5000K
Temperature	-20 C ~ +40 C
Lifetime	100,000 hours



MOGUL BASE LAMP SCREWS IN GENERATOR TO BE HARD WIRED

Ballast.

Length	Inch
L1	3.46
L2	3.90
L3	4.25
W1	2.76
W2	3.66
R	0.1
H1	1.57



phone: 815-315-8883
 fax: 847-470-9828
 quotes@inductionlighting.com

PO Box 911
 Morton Grove, IL 60053
 www.inductionlighting.com

TM
inductionlighting.com

Induction Lamp Kit:

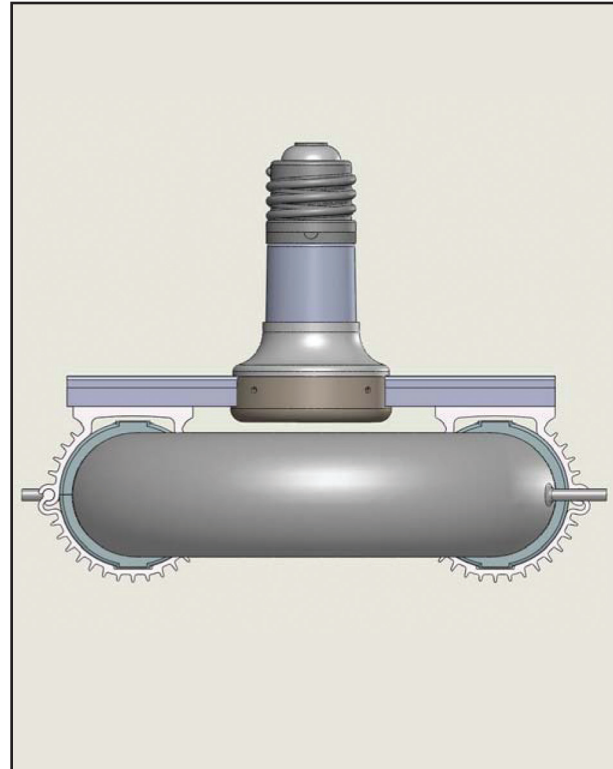
Retrofit Your Existing Fixtures to Induction Lighting Source

IRK-0682

Acorn and Contempo Retrofit Kit

CL100W Circular Induction Lamp and Adapter

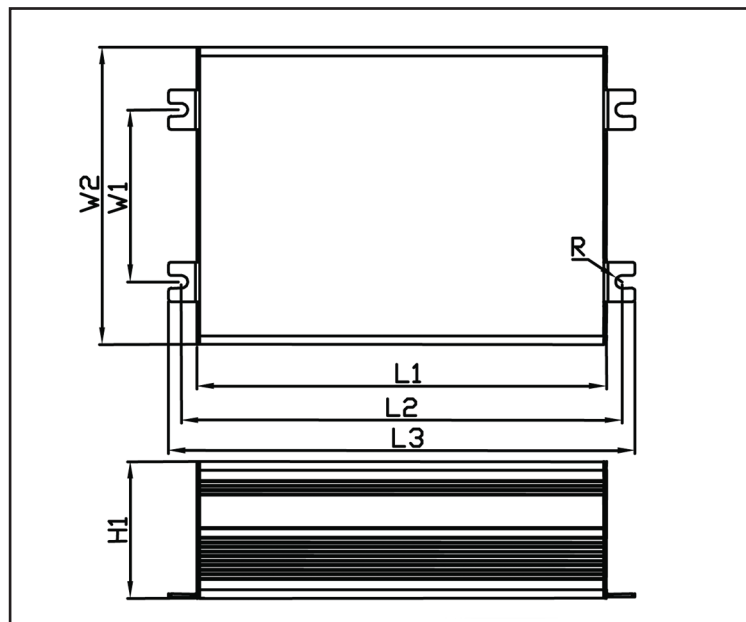
Voltage Rating	120~277V
Wattage	100W
Lamp Type	Circular Induction
Ballast Type	Electronic
Initial/Mean Lumen	8500/5950
Pupil Lumen	15300
CRI	82
L/W Ratio	80L/W
CCT - Kelvin Rating	5000K
Temperature	-20 C ~ +40 C
Lifetime	100,000 hours



MOGUL BASE LAMP SCREWS IN GENERATOR TO BE HARD WIRED

Ballast.

Length	Inch
L1	3.46
L2	3.90
L3	4.25
W1	2.76
W2	3.66
R	0.1
H1	1.57



phone: 815-315-8883
 fax: 847-470-9828
 quotes@inductionlighting.com

PO Box 911
 Morton Grove, IL 60053
 www.inductionlighting.com



TM
inductionlighting.com

Induction Lamp Kit:

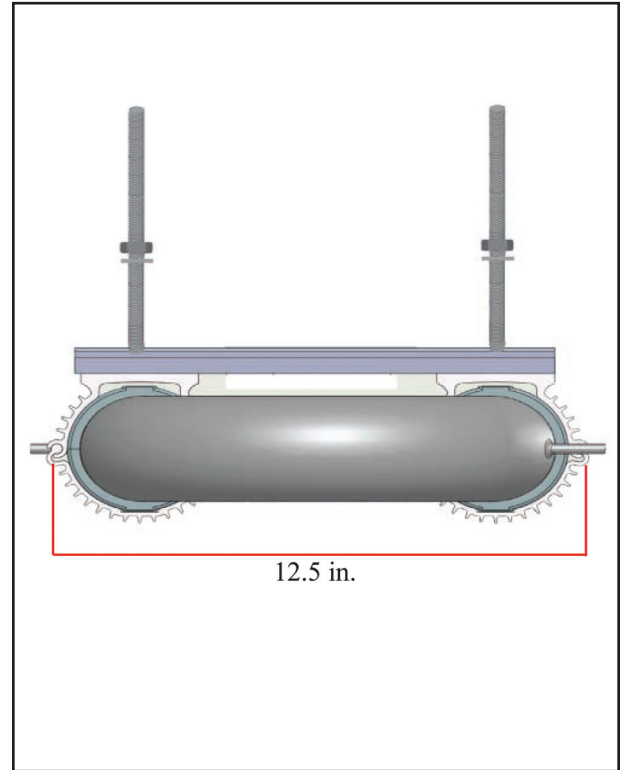
Retrofit Your Existing Fixtures to Induction Lighting Source

IRK-0683

Acorn and Contempo Retrofit Kit

CL150W Circular Induction Lamp and Adapter

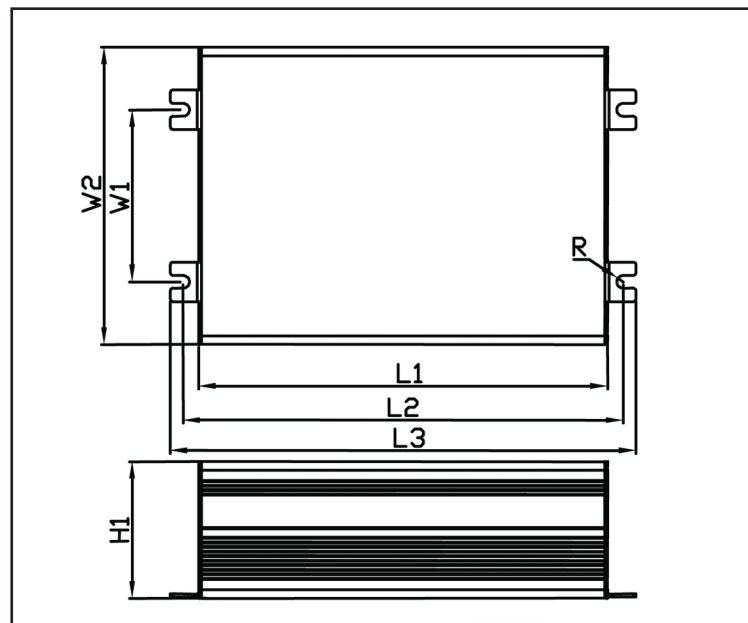
Voltage Rating	120~277V
Wattage	150W
Lamp Type	Circular Induction
Ballast Type	Electronic
Initial/Mean Lumen	12000/8400
Pupil Lumen	21600
CRI	82
L/W Ratio	85L/W
CCT - Kelvin Rating	5000K
Temperature	-20 C ~ +40 C
Lifetime	100,000 hours



**MOGUL BASE LAMP SCREWS IN
GENERATOR TO BE HARD WIRED**

Ballast.

Length	Inch
L1	6.19
L2	6.63
L3	6.98
W1	2.38
W2	4.11
R	0.1
H1	1.89



phone: 815-315-8883
fax: 847.470.9828
quotes@inductionlighting.com

PO Box 911
Morton Grove, IL 60053
www.inductionlighting.com



inductionlighting.com